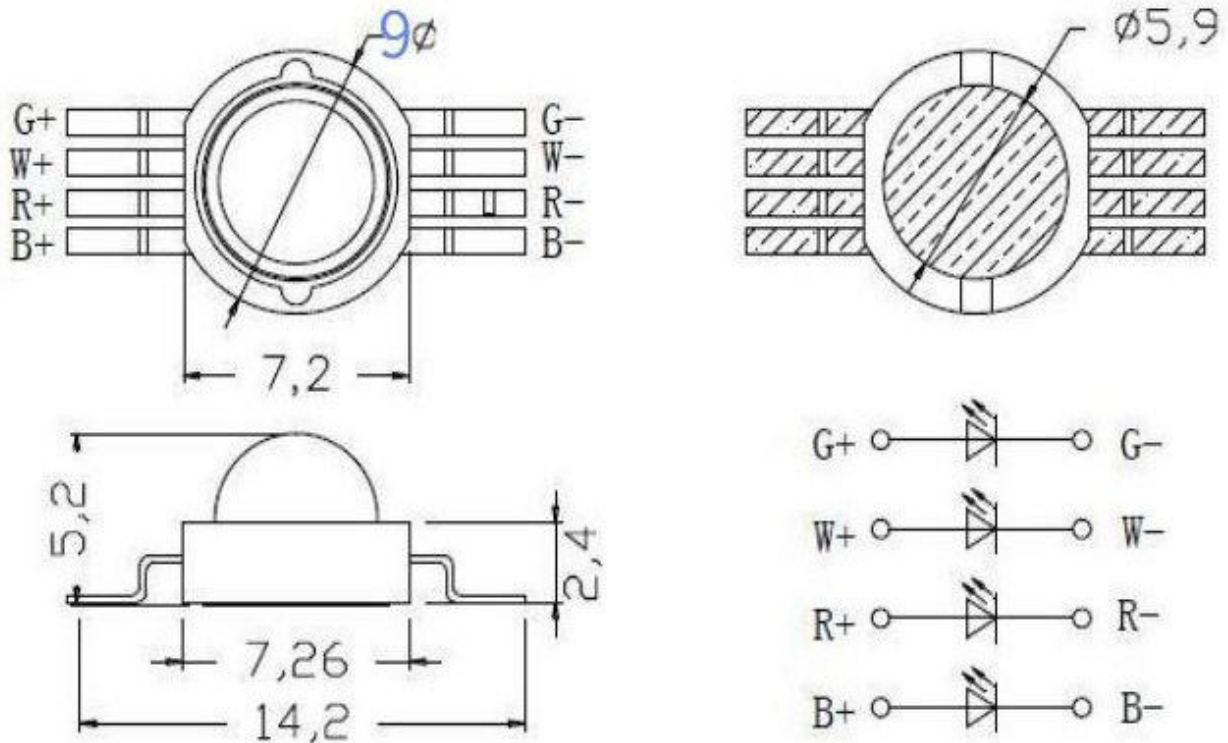


## Highpower LED 4x1W RGBW Typ "WTN-1W-RGBW"



### Notes

1. All dimensions are in mm.
2. Tolerance is  $\pm 0.25\text{mm}$  unless otherwise noted.
3. Lead spacing is measured where the leads emerge from the package.
4. Specifications are subject to change without notice.

Number	Part Number
1x	77900150
5x	77900151
10x	77900152
50x	77900153

**Electrical / Optical Characteristics at TA=25°C**

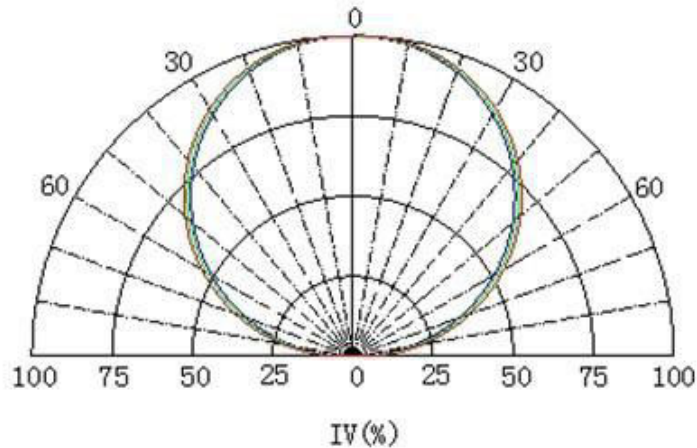
Parameter	Symbol	Color	Min.	Typ.	Max.	Unit	Test Condition
Luminous Intensity	∅	R	30		40	Lm	IF=350mA
		G	60		70	Lm	IF=350mA
		B	10		20	Lm	IF=350mA
		W	80		90	Lm	IF=350mA
Viewing Angle	2θ1/2			140		deg	IF=350mA
Dominant Wavelength	Tc	W	6000	6500	7000	K	IF=350mA
Spectral Line Half-Width	Δλ	R	620	622.5	625	nm	IF=350mA
		G	520	522.5	525	nm	IF=350mA
		B	460	462.5	465	nm	IF=350mA
Forward Voltage	VF	R	1.8	2.2	2.6	V	IF=350mA
		G	2.8	3.2	3.6	V	IF=350mA
		B	2.8	3.2	3.6	V	IF=350mA
		W	2.8	3.2	3.6	V	IF=350mA
Reverse Current	IR				10	uA	VR=5V

**Absolute Maximum Ratings at TA=25°C**

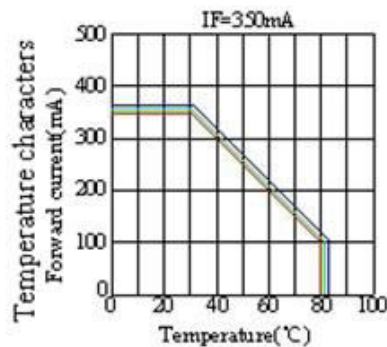
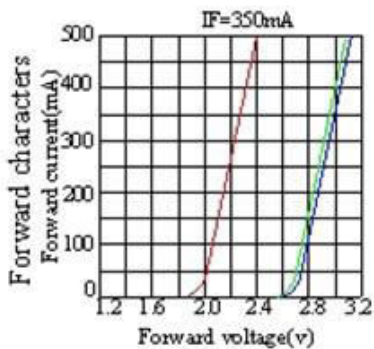
Parameter	Maximum Rating
Power Dissipation	1W
Peak Forward Current (1/10 Duty Cycle, 0. Lms Pulse Wisth)	700mA
Continuous Forward Current	350mA
Reverse Voltage	5V
Operating Temperature Range	-25°C to +65°C
Storage Temperature Range	-35°C to +105°C

**Typical Electro-Optical Characteristics Curves**

**Spotial Distrtrbution**



**Typical electrical-optical Characteristics curvers**



**Notes:**

The data are an typical presentation of the product, Contact customer service for details of technical information and warranty. The product is sensitive to static antistatic operation environment is recommended. Products are shipped in either bulk bag package or taping.

