

LED Highpower Chip 10W RGB, ROUND

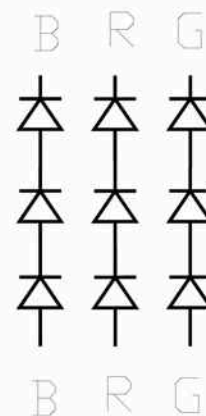
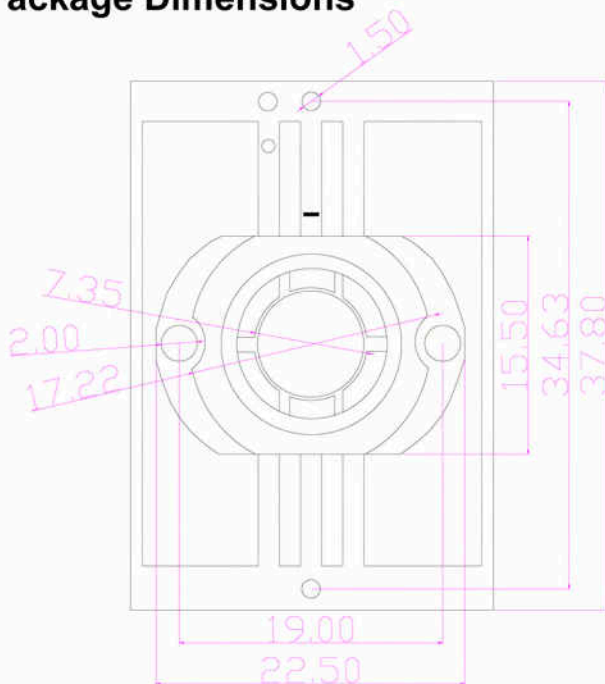
Features:

- High reliability and Very long operating life (up to 100K hours)
- Low voltage DC operated
- More Energy Efficient than Incandescent and most Halogen lamps
- NO UV
- Superior ESD protection

Typical Applications:

- Indoor lighting
- Architectural and landscape lighting
- Roadway Lighting
- Decorative

Package Dimensions



Absolute Maximum Ratings (Ta = 25°C)

Parameter	Symbol	Test Condition	Rating		Unit
			R.	G/B	
DC Forward Current	IF	----	350		mA
Peak Pulse Current	Ipeak	Duty=0.1, 1kHz	700		mA
Reverse Voltage	VR	----	15		V
Power Dissipation	Pd	----	10		W
LED Junction Temperature	Tj	----	120		°C
Operating Temperature	Topr	----	-25	+75	°C
Storage Temperature	Tstr	----	-40	+85	°C

Electrical And Optical Characteristics (Ta = 25°C)

Parameter	Symbol	Test Condition	R		G		B		Unit
			Min	Max	Min	Max	Min	Max	
Thermal Resistance Junction To Board	ROJ-B	IF = 350mA	8		10		10		°C/W
Forward Voltage	VF	IF = 350mA	6.0	7.0	9.0	11.0	9.0	11.0	V
Luminous Flux	Φv	IF = 350mA	120	150	190	220	50	70	lm
Dominate Wavelength	λd	IF = 350mA	620	630	520	530	460	470	nm
Reverse Current	IR	VR=15V	10						μA
Viewing Angle	2 θ 1/2	IF = 350mA	120						Deg