

LED 5mm diffus

Absolute Maximum Ratings at Ta=25°C

Parameter	Symbol	Rating	Unit
Forward Current	I _F	25	mA
Power Dissipation	P _d	60	mW
Reverse Voltage	V _R	5	V
Peak Forward Current (Duty 1/10 @1KHZ)	I _{PF}	150	mA
Operation Temperature	T _{OPR}	-40 to +80	°C
Storage Temperature	T _{STG}	-40 to +85	°C

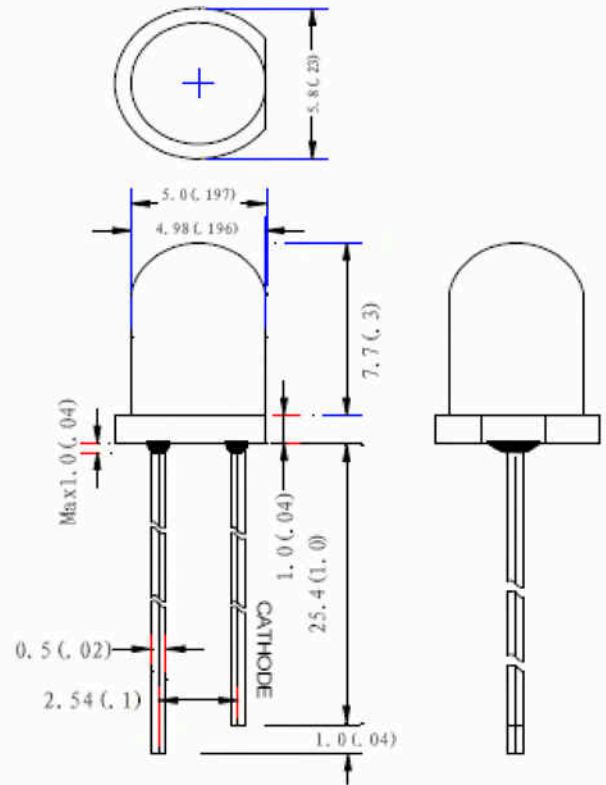
Features:

1. Standard brightness.
2. Choice of various viewing angles
3. IC compatible /Low current capability
4. Long life solid state reliability.

Description:

1. These LED lamps are available with a choice of different colors, light intensities, epoxy color, etc
2. General application for indication, illumination, etc

Package Dimensions:



Products List

Part Number	Dice material And color	Lens color	Peak Wavelength Typ	V _f (V) Typ	I _v (mcd)		Viewing Angle 2 θ 1/2
					Min	Typ	
75500002	AlGaInP/Ultra Red	Red diffused	625nm	2.0	3000	3200	70°

Number	Part Number
10x	26000100
20x	26000101
50x	26000102
100x	26000103