

LED Chip 1W Highpower

Absolute Maximum Ratings at Ta=25°C

Parameter	Symbol	Rating	Unit
Forward Current	I _F	350	mA
Power Dissipation	P _d	1.4	W
Reverse Voltage	V _R	5	V
Peak Forward Current (Duty 1/10 @1KHZ)	I _{PF}	500	mA
Operation Temperature	T _{OPR}	-25 to +100	°C
Storage Temperature	T _{STG}	-40 to +120	°C

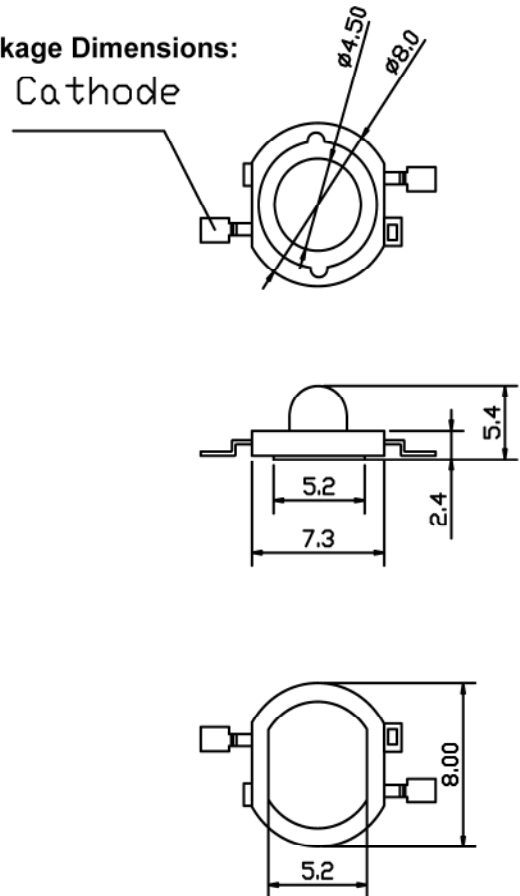
Features:

1. ultra brightness.
2. Low Voltage DC operated
3. More Energy efficient
4. Long life solid state reliability.

Description:

1. These LED lamps are available with a choice of different colors, etc
2. General application for indication, illumination, etc

Package Dimensions:



Products List

Part Number	Dice material And color	Lens color	Peak Wavelength	Vf(V) Typ	Iv(lm)		Viewing Angle 2 θ 1/2
					Min	Typ	
77900010	InGaN/Ultra White	Hemisphere	6000K	3.50	90	100	120°

Number	Part Number uw
1x	77900010
5x	77900011
10x	77900012
50x	77900013