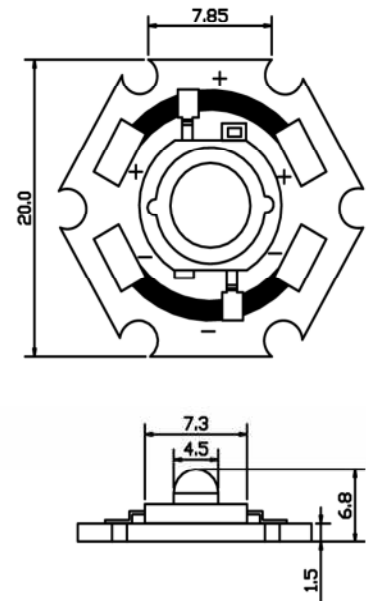


## Highpower LED 3W

### Absolute Maximum Ratings at Ta=25°C

Parameter	Symbol	Rating	Unit
Forward Current	I <sub>F</sub>	700	mA
Power Dissipation	P <sub>d</sub>	2.5	W
Reverse Voltage	V <sub>R</sub>	5	V
Peak Forward Current (Duty 1/10 @1KHZ)	I <sub>PF</sub>	1000	mA
Operation Temperature	T <sub>OPR</sub>	-25 to +100	°C
Storage Temperature	T <sub>STG</sub>	-40 to +120	°C

### Package Dimensions:



### Features:

1. ultra brightness.
2. Low Voltage DC operated
3. More Energy efficient
4. Long life solid state reliability.

### Description:

1. These LED lamps are available with a choice of different colors, etc
2. General application for indication, illumination, etc

### Products List

Part Number	Dice material And color	Lens color	Peak Wavelength	V <sub>f</sub> (V) Typ	I <sub>v</sub> (lm)		Viewing Angle 2 θ 1/2
					Min	Typ	
77800033	AlGaInP/Ultra Red	Hemisphere	625nm	2.30	60	80	120°

Number	Part Number
1x	77800033
5x	77800034
10x	77800035