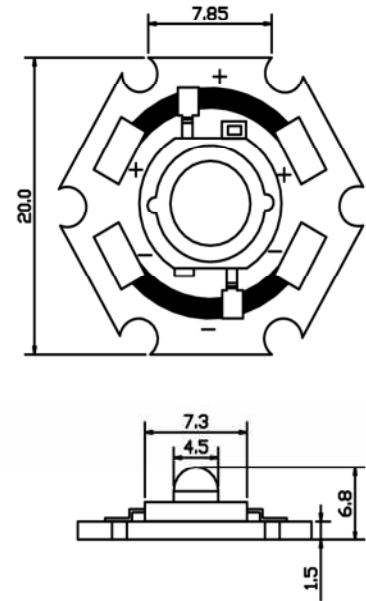


Highpower LED 3W

Absolute Maximum Ratings at Ta=25°C

Parameter	Symbol	Rating	Unit
Forward Current	I_F	700	mA
Power Dissipation	P_d	2.5	W
Reverse Voltage	V_R	5	V
Peak Forward Current (Duty 1/10 @1KHZ)	I_{PF}	1000	mA
Operation Temperature	T_{OPR}	-25 to +100	°C
Storage Temperature	T_{STG}	-40 to +120	°C

Package Dimensions:



Features:

1. ultra brightness.
2. Low Voltage DC operated
3. More Energy efficient
4. Long life solid state reliability.

Description:

1. These LED lamps are available with a choice of different colors, etc
2. General application for indication, illumination, etc

Products List

Part Number	Dice material And color	Lens color	Peak Wavelength	Vf(V) Typ	Iv(lm)		Viewing Angle 2 θ 1/2
					Min	Typ	
77800004	AlGaInP /Warm White	Hemisphere	3000K	3.50	140	190	120°

Number	Part Number
1x	77800004
5x	77800014
10x	77800015
50x	77800016